

The high frequency X-Ray monoblock consists of an inverter and oil-filled tank which houses the high voltage transformer and tube . It has been designed and developed for OEM application in fluoroscopy and radiography C-arm units. The high radiation output allows for lower kV per exposure, shorter exposure and superior imaging.

Features:

- Compact & light weight
- Reduction in dose
- Superior Imaging
- Tablet/touch-screen control
- Easy serviceability

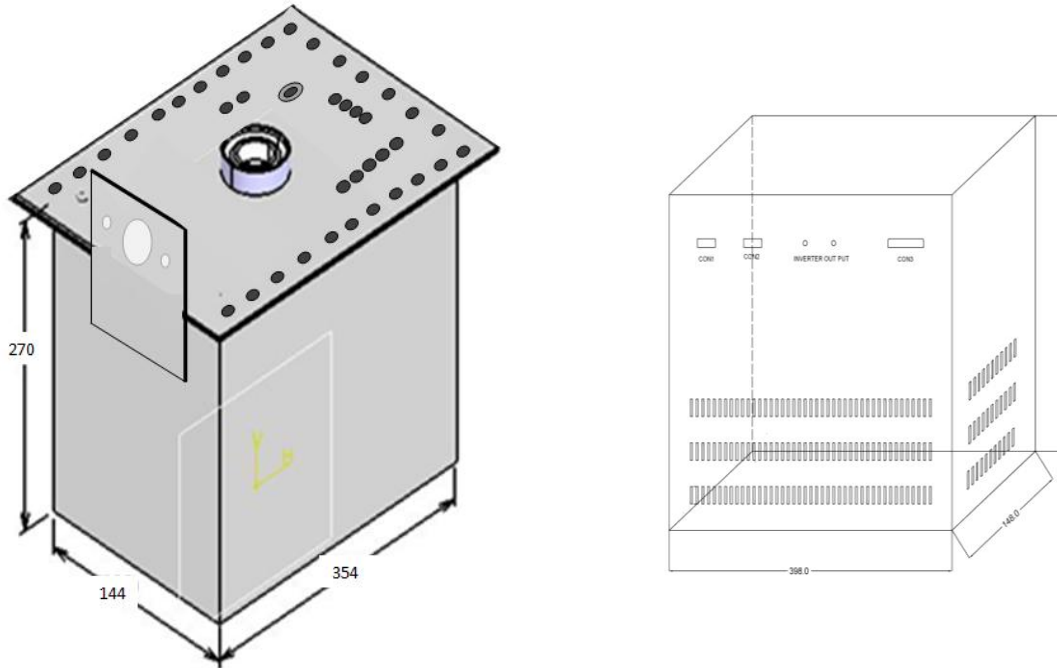


TECHNICAL SPECIFICATIONS

PARAMETER	SPECIFICATION
Input Voltage	230V \pm 10% AC, 50Hz, single phase
Maximum Output Voltage	110kV DC
<ul style="list-style-type: none"> • Cathode to Ground • Anode to Ground 	55kV DC 55kV DC
Maximum Output Power	30mA at 110kV 40mA at 80kV 80mA at 40kV
Application	Suitable for Fluoroscopy or for Radiography
Exposure Time	4mSecs to 5Secs
HF Generator Frequency	40kHz
Operating Frequency	20kHz
Protections	Over Voltage, Over Current, Over Temperature, etc.
SPECIFICATIONS FOR SMALL FOCUS	
Filament Voltage	2.4V to 5.0V
Current (Max)	4A
Floating on	-55kV DC
SPECIFICATIONS FOR LARGE FOCUS	
Filament Voltage	4V to 8V
Current (Max)	4.5A
Floating on	-55kV DC
SPECIFICATIONS FOR TUBE	
Voltage (Nominal)	110kV
Anode Input Power(Nominal)	0.58 / 3.2kW
Focal Spot Value (Large)	0.6/1.5
REMOTE CONTROL	
User Interface	Touch screen tablet with microcontroller based control

HOUSING	
Monoblock	Contains high voltage transformer, X-ray tube & filament transformers floating on high voltage
MS Cabinet	Contains inverter, control cards, filament card, rotor card and other interlocks. (No external filter, contactor, etc. required)

Cabinet Details:



Remote Interface Connectors Configuration					
Pins	6 Pin Pluggable Connector 1		6 Pin Pluggable Connector 2	9 Pin D Connector 1	9 Pin D Connector 2
1	Small Filament		Common / Earth	Common	Common
2			-Ve Vfb	Pre – Rx	Inverter Fault
3			-Ve Ifb	Set Kilovolts	Filament Ok
4	Large Filament		Reserved	Set Milliamperes	mA Radiography
5			+Ve Ifb	Com – Rx (HV ON)	mA Fluoroscopy
6			+Ve Vfb	SF/LF Selection	kV Trigger
7				Reserved	Reserved
8				Reserved	Reserved
9				Reserved	Reserved

Tank Interface Connectors Configuration		
Pins	10 Pin Pluggable Connector 1	10 Pin Pluggable Connector 2
1	Common / Earth	Reserved
2		Small Flament-1
3		Reserved
4		Small Flament-2
5		Reserved
6	-Vfb	Positive DC
7	-Ifb	Reserved
8	Reserved	Large Flament-1
9	+Ifb	Reserved
10	+Vfb	Large Flament-2

For any queries or customization requests contact us at info@ionics.co.in

For product line information visit us at www.ionics.co.in

The high frequency X-Ray monoblock consists of an inverter and oil-filled tank which houses the high voltage transformer and tube. It has been designed and developed for OEM application in fluoroscopy and radiography C-arm units. The high radiation output allows for lower kV per exposure, shorter exposure and superior imaging.

Features:

- Compact & light weight
- Reduction in dose
- Superior Imaging
- Tablet/touch-screen control
- Easy serviceability

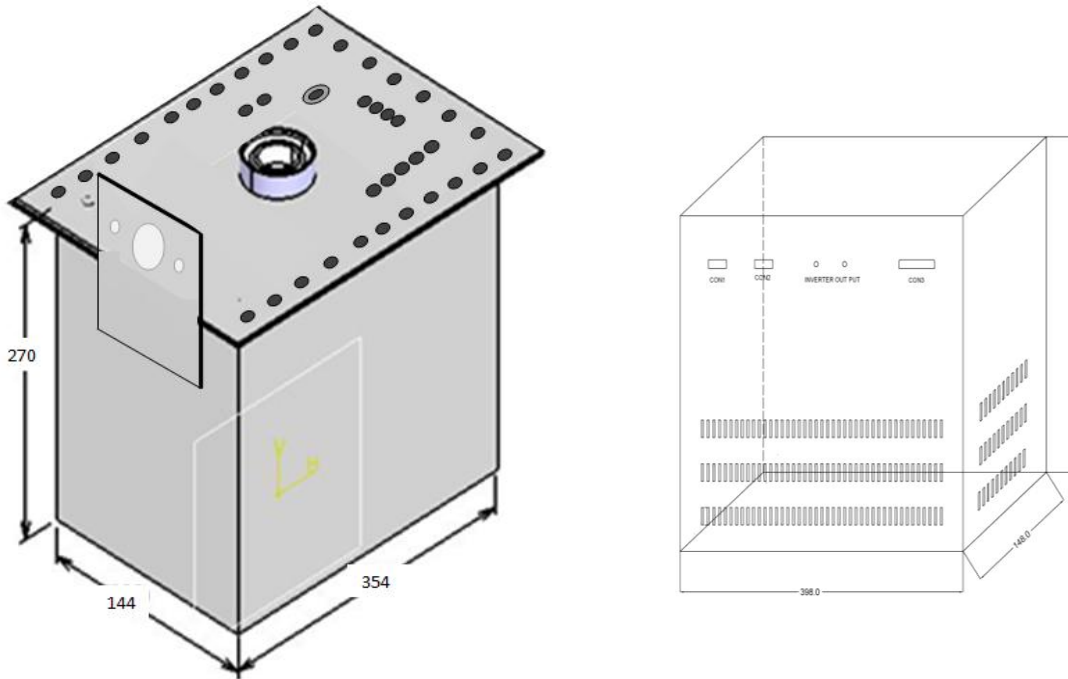


TECHNICAL SPECIFICATIONS

PARAMETER	SPECIFICATION
Input Voltage	230V \pm 10% AC, 50Hz, single phase
Maximum Output Voltage	100kV DC
<ul style="list-style-type: none"> • Cathode to Ground • Anode to Ground 	50kV DC 50kV DC
Maximum Output Power	60mA at 100kV
Application	Suitable for Fluoroscopy or for Radiography
Exposure Time	4mSecs to 5Secs
HF Generator Frequency	40kHz
Operating Frequency	20kHz
Protections	Over Voltage, Over Current, Over Temperature, etc.
SPECIFICATIONS FOR SMALL FOCUS	
Filament Voltage	2.4V to 5.0V
Current (Max)	4A
Floating on	-55kV DC
SPECIFICATIONS FOR LARGE FOCUS	
Filament Voltage	4V to 8V
Current (Max)	4.5A
Floating on	-55kV DC
SPECIFICATIONS FOR TUBE	
Voltage (Nominal)	110kV
Anode Input Power(Nominal)	6kW
Focal Spot Value (Large)	2.8
REMOTE CONTROL	
User Interface	Touch screen tablet with microcontroller based control

HOUSING	
Monoblock	Contains high voltage transformer, X-ray tube & filament transformers floating on high voltage
MS Cabinet	Contains inverter, control cards, filament card, rotor card and other interlocks. (No external filter, contactor, etc. required)

Cabinet Details:



Remote Interface Connectors Configuration				
Pins	6 Pin Pluggable Connector 1	6 Pin Pluggable Connector 2	9 Pin D Connector 1	9 Pin D Connector 2
1	Small Filament	Small	Common / Earth	Common
2			-Ve Vfb	Pre – Rx
3			-Ve Ifb	Set Kilovolts
4	Large Filament	Large	Reserved	Set Milliamperes
5			+Ve Ifb	Com – Rx (HV ON)
6			+Ve Vfb	SF/LF Selection
7			Reserved	Reserved
8			Reserved	Reserved
9			Reserved	Reserved

Tank Interface Connectors Configuration		
Pins	10 Pin Pluggable Connector 1	10 Pin Pluggable Connector 2
1	Common / Earth	Reserved
2		Small Flament-1
3		Reserved
4		Small Flament-2
5		Reserved
6	-Vfb	Positive DC
7	-Ifb	Reserved
8	Reserved	Large Flament-1
9	+Ifb	Reserved
10	+Vfb	Large Flament-2

For any queries or customization requests contact us at info@ionics.co.in

For product line information visit us at www.ionics.co.in