

This series of power supplies incorporate the high frequency switch mode technology to give highly regulated panel mountable modules with two fixed outputs catering to a wide variety of scientific and industrial applications.

### Features:

- Compact & Modular
- Dual Outputs
- Regulated
- OEM Customization Available

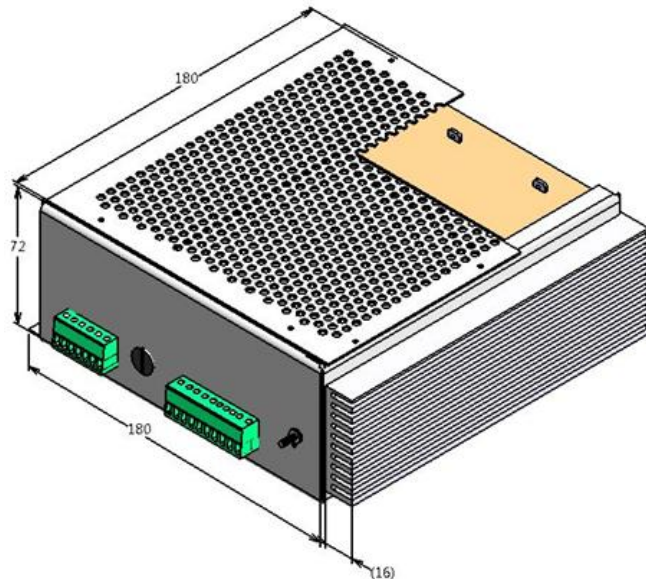


### TECHNICAL SPECIFICATIONS

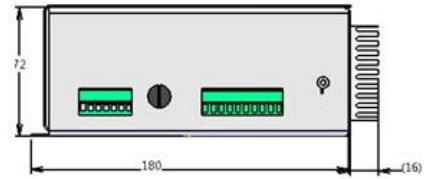
PARAMETER	SPECIFICATION
Input Voltage	230V $\pm$ 10% AC, 50Hz, single phase
Output Voltage	6kV & 12kV fixed
Output Power*	80W/120W/200W
Polarity*	Positive / Negative
Regulation	0.5%
Protections	Against overload and short-circuit During short circuit, power supply trips and restarts automatically after 4-5 seconds
Front Panel	6 pin pluggable connector for external indications 10 pin pluggable connector for AC mains input and interlocks Fuse holder with fuse Stud for grounding the unit
Top Panel	Two connection terminals for HV outputs
External Indications & Signals	External green LED indication for normal load condition External red LED indication for overload (or surge) condition 12V DC hooter in case of overload
Topology	High frequency switch mode type
Size	180mm x 180mm x 72mm (W X D X H)

\*Optional. To be specified by the user.

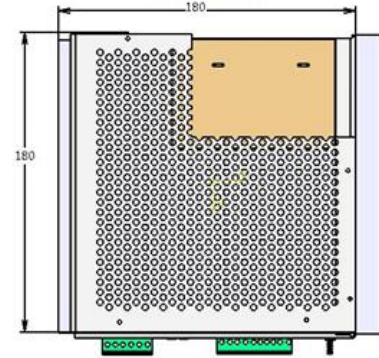
**Cabinet Details:**



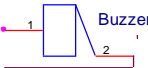
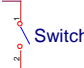
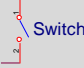


**Front Panel**



**Back Panel**



Input / Output Connector Configuration				
Pins	6 Pin Pluggable Connector		10 Pin Pluggable Connector	
1	Normal Load LED	 Green LED	Phase	
2			Neutral	
3	Overload LED	 Red LED	Reserved	
4			Earth	
5	12V DC	 Buzzer	Power ON / OFF	 Switch
6	Common			
7			Door Interlock	 Switch
8				
9			Phase Out	
10			Neutral Out	

Ordering Code	MF	6/12	K	080	W	P	C	I	D	4	L
				1		2					
Section	Description		Options		Options Description						
1	Output Power		YYY		Value of output power YYY=080//120/200; For 80/120/200W						
2	Polarity		P		Positive						
			N		Negative						

For any queries or customization requests contact us at [info@ionics.co.in](mailto:info@ionics.co.in)  
For product line information visit us at [www.ionics.co.in](http://www.ionics.co.in)

